



Features

8" long stroke Bass driver, 3-layer Hexacone Sandwich cone, fast and strong reproduction, useful for deep bass reproduction, rich and voluminous bass-base.

8" Langhub Tieftöner, 3-schichtige Hexacone Sandwich-Membrane, schnelle druckvolle Wiedergabe, geeignet für Tiefbassanwendungen, sorgt für voluminöses Bassfundament.

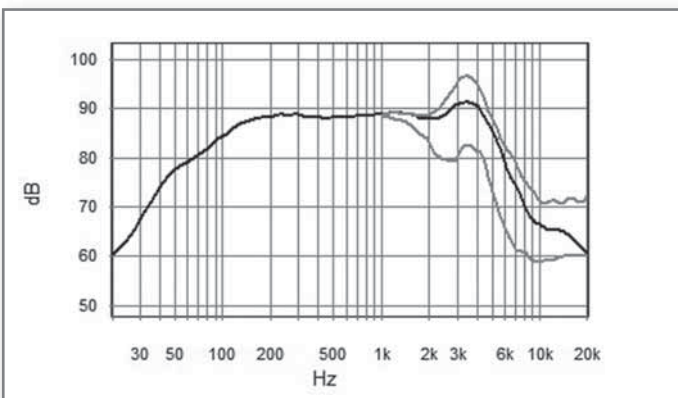
#1.2100.07

Main technical data

Nominal impedance	Z_n	8	Ω
DC resistance	R_e	7.0	Ω
Resonance frequency 1W	f_r	24	Hz
Resonance frequency TSP	f_r	27	Hz
Suspension compliance	C_{MS}	1.12	mm/N
Mechanical Q	Q_{ms}	6.26	
Electrical Q	Q_{es}	0.50	
Total Q	Q_{ts}	0.46	
Mechanical resistance	R_{MS}	0.83	kg/s

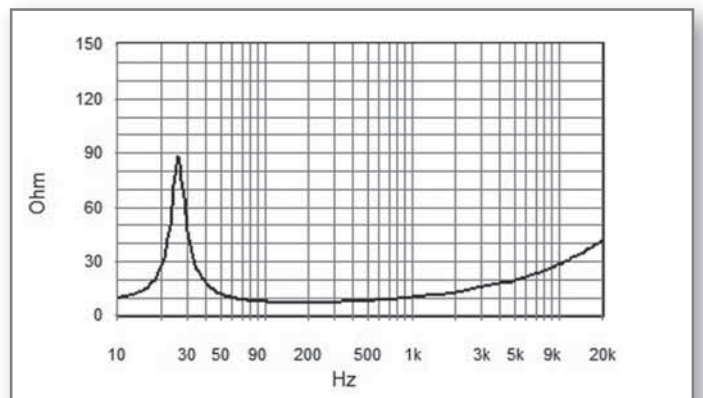
Total moving mass (incl. air mass)	M_{MD}	30.4	g
Effective piston area	S_D	222	cm ²
Voice coil inductance	L_e	0.73	mH
Force factor	$B_L \times l$	8.3	Tm
Xmax electrical	+/-	5.3	mm
Xmax mechanical	+/-	14.2	mm
Equivalent air vol. of suspension	V_{AS}	86.0	dm ³
Characteristic SPL 1 Watt/1m		89	dB SPL
Rated power		80	W

Frequency response

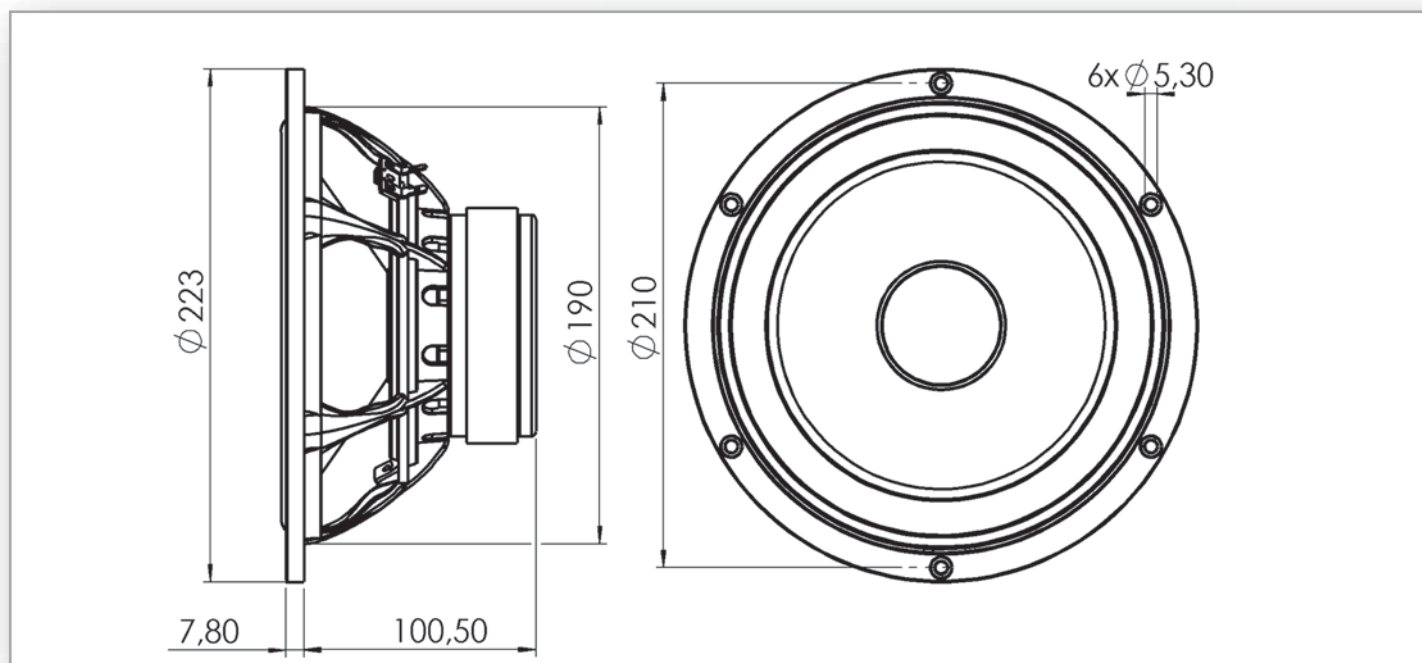


SPL 2,83 V/1m; black 30°, grey 0,60°
Half space; endless baffle; enclosure 700 l

Impedance



Measured free air without baffle



Mechanical data

Overall diameter	223	mm
Cutout diameter	190	mm
Frame depth	7.8	mm
Overall depth	108.3	mm
Screw holes diameter	5.3/ 9	mm
Terminal	2.8/ 4.8	mm
Weight	2.13	kg

Voice coil

Diameter	32	mm
Height	18.6	mm
Wire material	Cu	
Former material	Kapton	
Layers	1	

Magnet

Flux density	1.00	T
Height of gap	8	mm
Material	Ferrite	
Dimension	102 x 46	mm
Height	22	mm
Motor type	Overhung	
Ferrofluid	no	

Other data

Recommended frequency range	40-2000	Hz
-----------------------------	---------	----